



X-TYPE

DATE 03/03

XT413-R935

SERVICE

## TECHNICAL BULLETIN

Turn Signal Indicator –  
Replace GECM –  
RECALL R935

MODEL 2002-03 MY  
X-TYPE

VIN C00294-D17471

**This recall supersedes Service Action S920  
(Technical Bulletin XT419-S920).**

### Issue:

Jaguar has investigated a concern with the external indicators on X-TYPE Vehicles. When power is lost to the external indicators, the internal 'tell tales' flash as if there is no fault. Investigations have determined that the General Electronic Control Module (GECM) design includes feedback to the driver via a 'tell tale' function for bulb failure but does not include feedback in the event of power loss to the direction indicator system as required by law.

Corrective action was introduced into production at the end of October 2002, by implementing a software change within the GECM.

Jaguar Cars has made the decision to recall all X-TYPE vehicles in the above VIN range that have yet to have the correct level of GECM installed.

Jaguar Cars will be writing to all owners of affected vehicles requesting them to contact their nearest dealer as soon as possible to arrange for the GECM to be replaced at the earliest opportunity.

To ensure that this repair can be fully completed, the owners of affected vehicles must make available all remote locking handsets.

In conjunction with this Recall Action, Service Action S934 Restraints Control Module Reprogram will be released which is an owner notification program and affects all X-TYPE vehicles within the VIN range of C00294 to C90822. You should ensure that all repairs are completed at one visit.

### Action:

This is an ideal opportunity to ensure that all outstanding Service Actions are completed on X-TYPE vehicles included within this Recall Action.

**Note:** All vehicle keys/transmitters must be present during GECM reconfiguration. Any key/transmitter not present will no longer function.

A list of the current X-TYPE campaigns is shown on the next page. Please ensure that you check that the vehicle is applicable to the campaign prior to confirming the booking

with your customers so that suitable time and parts are made available prior to the repair visit. This can be done by using the outstanding campaign function within DDW, using your own internal records and by checking the original campaign bulletin. It is also important that you ensure that the repair has not already been completed as **NO** repeat campaign claims will be accepted.

**Note:** Always review a Vehicle's Claim History within DDW first to determine whether this recall has been previously performed on a specific vehicle. The "Review Claim History" function will display a list of claims against the vehicle. If this recall appears in the program code field, do not perform this recall.

#### CURRENT X-TYPE SERVICE ACTIONS

XT418-**S918** Ignition Supply Fuse Rating Change

XT418-**S921** 20 Amp Micro Relay Replacement

XT303-**S928** Crankcase Breather Valve Replacement

#### VIN RANGE

C00344-C36947

C50848-C52536 (specific VINs)

C00285-C59932

#### MODIFICATION PROCEDURE

**Note:** All vehicle keys/transmitters must be present during GECM reconfiguration. Any key/transmitter not present will no longer function.

1. Open hood and install fender protection covers.
2. Disconnect vehicle battery. (See Workshop Manual, JTIS CD ROM, section: 414-01).

**Note:** The General Electronic Control Module (GECM) is clipped into the Engine Control Module (ECM) bracket above the ECM. There are no separate brackets. The two modules are located on the right side of the passenger compartment beneath the dash near the A-post.

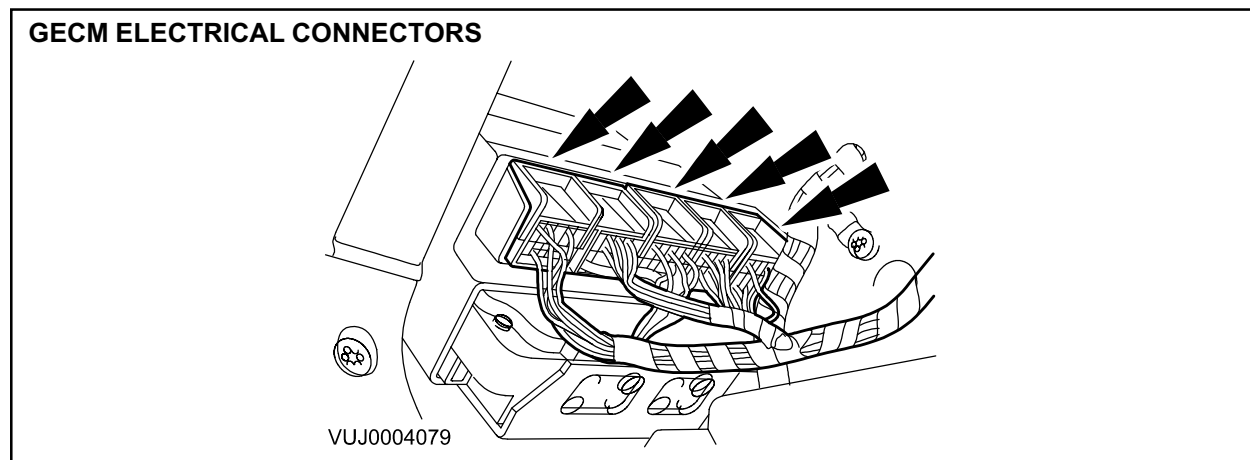


ILLUSTRATION 1

3. Displace electrical connectors from GECM (Illustration 1).
4. Displace and reposition GECM electrical harness.

## SECURING TANG

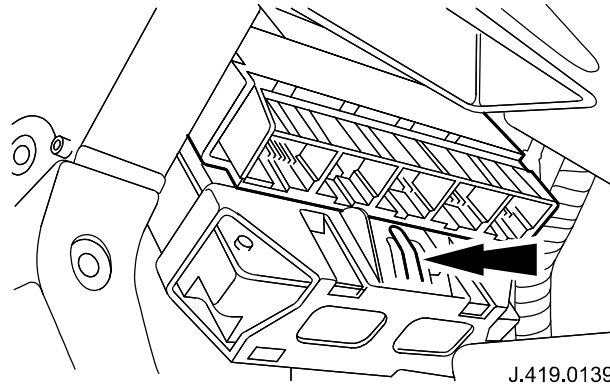


ILLUSTRATION 2

5. Displace tang on GECM securing plate to lower securing bracket (Illustration 2).

## REMOVING GECM

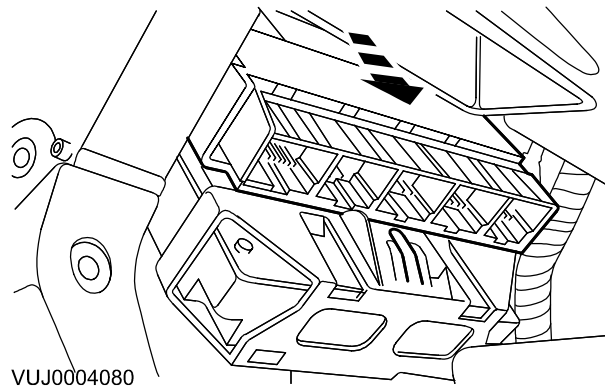


ILLUSTRATION 3

6. Remove GECM from mounting bracket (Illustration 3).
7. Install and align new GECM to mounting bracket.
8. Reposition GECM electrical harness.

## GECM ELECTRICAL CONNECTORS

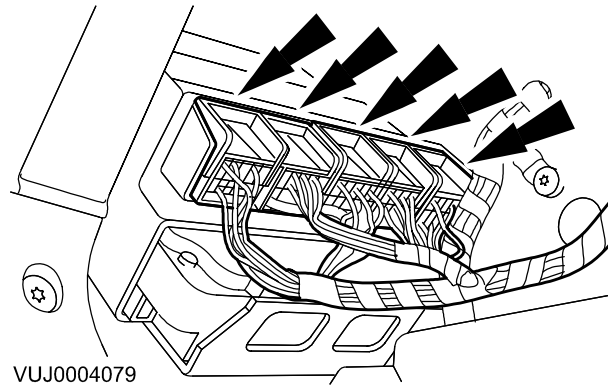


ILLUSTRATION 4

9. Reconnect electrical connectors to GECM (Illustration 4).
10. Reconnect vehicle battery. (See Workshop Manual, JTIS CD ROM, section: 414-01)
11. Verify that Worldwide Diagnostic System (WDS) is loaded with Issue 23A or later software and connect to vehicle.
12. Navigate to and run configure new GECM application.

**Note:** All vehicle keys/transmitters must be present during GECM reconfiguration. Any key/transmitter not present will no longer function.

13. When configuration is completed, disconnect the WDS from vehicle.

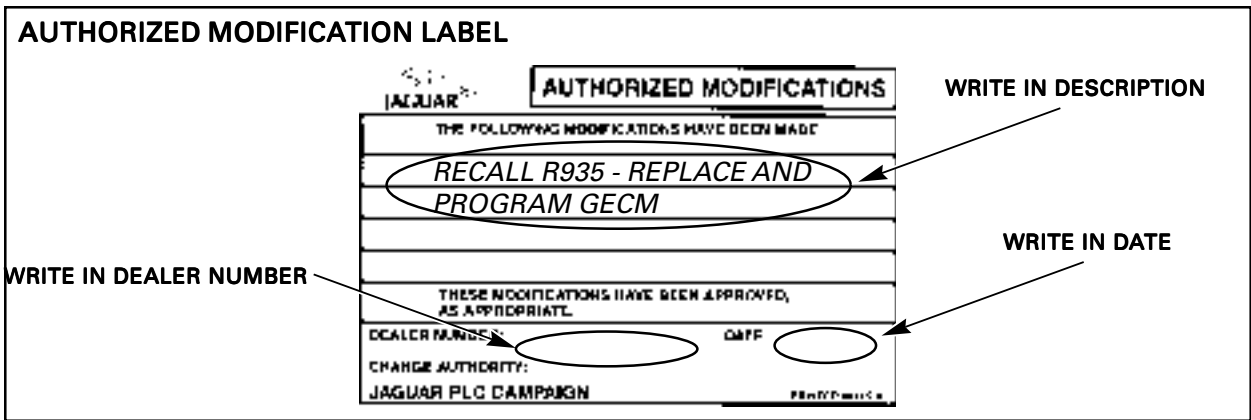


ILLUSTRATION 5

14. Fill out an authorized modification label (Illustration 5) and apply it to the underside of the hood as shown in Illustration 6.
15. Remove fender protection covers and close hood.



ILLUSTRATION 6

**Note:** Refer to Administration Bulletin 6-94, for information on obtaining additional Authorized Modification labels.

**Parts Information:**

<b>DESCRIPTION</b>	<b>PART NUMBER</b>	<b>QTY</b>
GECM North America	C2S 27457	1

**Warranty Information:**

Warranty claims should be submitted quoting the information found below of this Service Action. This will result in payment of the stated time and, where applicable, parts/miscellaneous expense codes.

The options that allow for drive in/drive out may only be claimed when the vehicle has been brought in to the workshop for this action alone to be undertaken.

**Recall R935**

2002 MY	2.5L VIN Range	<b>2XC00294 - 2XC86114</b>
2002 MY	3.0L VIN Range	<b>2WC00294 - 2WC86114</b>
2003 MY	2.5L VIN Range	<b>3XC86115 - 3XD17471</b>
2003 MY	3.0L VIN Range	<b>3WC86115 - 3WD17471</b>

<b>Program Code</b>	<b>Option</b>	<b>Description</b>	<b>SRO</b>	<b>Time</b>	<b>Part Number</b>	<b>Part Description</b>	<b>Qty</b>
R935	F	Replace GECM	86.80.38	0.7 hrs.	C2S 27457	GECM North American (incl Canada & Mexico)	1
R935	G	Replace GECM	86.80.38	0.7 hrs.	C2S 27457	GECM North American (incl Canada & Mexico)	1
		Drive in/drive out	10.10.10	0.1 hrs.			

**Note:** Always review a Vehicle’s Claim History within DDW first to determine whether this recall has been previously performed on a specific vehicle. The “Review Claim History” function will display a list of claims against the vehicle. If this recall appears in the program code field, do not perform this recall.

**March 18, 2003**

**Re: Recall Action R935 - Directional Indicator Tell Tale Operation System**

**Affected Vehicles: 2002 and 2003 Model Year Jaguar X-TYPE**

Dear Jaguar Owner:

This notice is sent to you in accordance with the requirements of the National Traffic and Motor Vehicle Safety Act.

Jaguar Cars has decided that a defect relating to motor vehicle safety exists in the directional indicator system on Jaguar X-TYPE vehicles built in the Vehicle Identification Number range C00294 to D17471

**What is the concern?**

When power is lost to the external directional indicators the internal 'tell tale' indicators located within the instrument pack flash as if there is no fault with the system. Investigations have determined that the design of the General Electronic Module that controls this system includes feedback to the driver via a "tell tale" function for bulb failure but does not include feedback in event of power loss to the external direction indicator system. Therefore in the event of power loss to the direction indicator system and the non-operation of the external indicators, the internal indicators operate normally providing the driver with no warning that there is a failure within the system. Failure to properly signal a turn could lead to a crash.

**What Jaguar Cars will do?**

To overcome this concern on all affected vehicles Jaguar Cars will replace the General Electronic Module with a new unit that contains software providing correct feedback should a power loss occur.

While your vehicle is at the Retailer, Jaguar Cars will also take the opportunity to reprogram your Adaptive Restraints Control module providing you with software currently available on latest production vehicles.

Additionally at this time your Jaguar Retailer will also be authorized to perform other product enhancements that are available for X-TYPES within specific VIN ranges.

All actions involved will, of course, be performed by Jaguar Retailers free of charge.

**What you should do?:**

At your earliest convenience you should contact your Jaguar Retailer who will be able to make an appointment to undertake the necessary actions. To assist your Retailer please ensure that at the time of contact you have to hand your applicable Vehicle Identification Number.

Due to scheduling your Retailer may need to keep your vehicle for the day so please take this into consideration in advance.

**Important:** Due to reprogramming of vehicle software it will be necessary for you to bring all your vehicle's keys to the dealer, including all keys received with the car and all keys subsequently purchased for your car, as these keys need to be reprogrammed at the same time these actions are conducted on your vehicle.

If your Retailer fails to perform the repair at no charge to you or is unable to perform the repair in 60 days, please contact Jaguar's Customer Relationship Center at 1-800-4JAGUAR, Option #9. If you prefer, you may submit a complaint to the Administrator, National Highway Traffic Safety Administration, 400 Seventh Street S.W., Washington, D.C., 20590, or call the NHTSA Hotline at 1-888-327-4236 (Washington D.C. area residents may call 202-366-0123.).

**What you should do if you have already paid to have this work completed?**

If you meet all the following requirements, you are eligible to receive reimbursement

1. You own or have owned a 2002 or 2003 Jaguar X-TYPE within the VIN range C00294 to D17471.
2. You have paid for repair to the directional indicator power circuit due to the defect outlined previously in this letter.
3. The repair was performed before March 17, 2003
4. You have an original or legible copy of the paid repair order or invoice showing:
  - A description of the concern reported
  - The replacement of the GEM control module
  - Itemized parts and labor charges
  - The vehicle model and year and the vehicle identification number
  - The repair date
  - Repair mileage
  - Name and address of the authorized Jaguar Retailer or licensed repair shop
  - Your name and address at the time of the repair

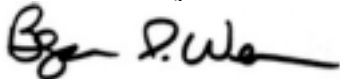
If you have all of the above information, present it to the Retailers Service Manager and they will arrange reimbursement of your claim.

Please ensure that you retain copies of all of the paperwork supporting this claim.

**What you should do if you have further questions?**

Please contact your Jaguar Retailer or the Jaguar Customer Relations Center at 1 800 4JAGUAR, option 9 or by e-mail at [jaguarowner@jaguar.com](mailto:jaguarowner@jaguar.com).

Yours sincerely,



Benjamin I. Weiner  
Customer Satisfaction Manager