

**Creak/Squeak When Opening Liftgate Or
Glass – Lubricate Clevis Pins –
Repair Procedure**

MODEL 2004 MY-ON
X-TYPE Wagon

VIN D77509-ON

Issue:

On some 2004 MY X-TYPE Wagon vehicles customers may have a concern with a creak or squeak from the hinge to gas strut clevis pin, when either the liftgate or the liftgate glass is opened.

This bulletin provides a procedure for lubricating the clevis pin to rectify the concern.

Action:

In case of a customer complaint of the above condition, remove, lubricate and re-install the liftgate glass hinge to gas strut clevis pin as outlined below.

WORKSHOP PROCEDURE

1. Open liftgate.
2. Displace and remove the retaining clip from one clevis pin.
3. Displace and remove the clevis pin, clean the pin and apply a small amount of suitable grease to the shaft of the pin (Illustration 1).

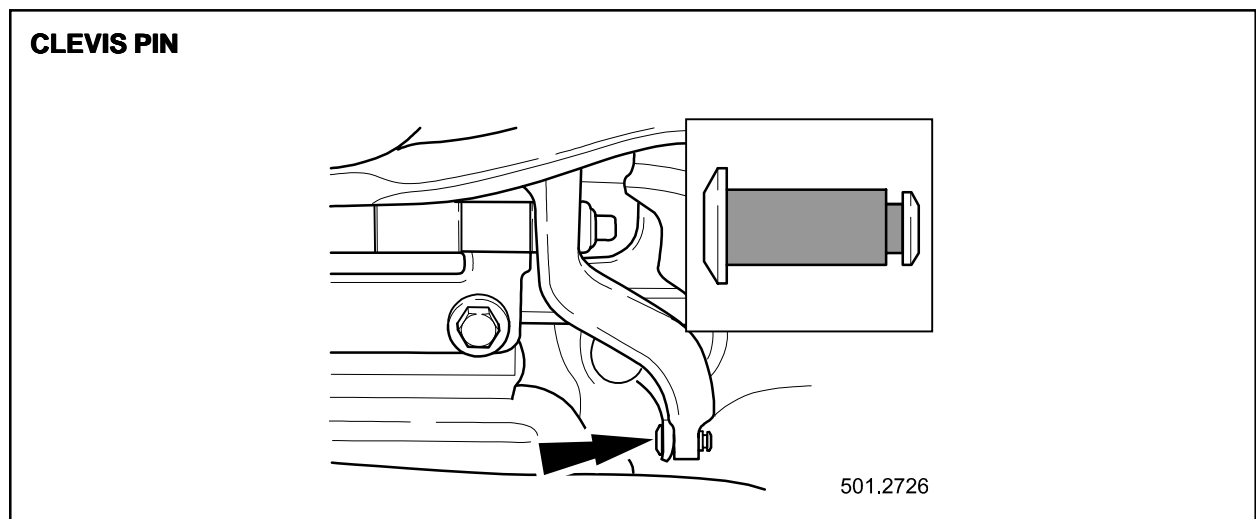


ILLUSTRATION 1

4. Align the liftgate glass gas strut to the hinge.

NOTE: THE INFORMATION IN TECHNICAL BULLETINS IS INTENDED FOR USE BY TRAINED, PROFESSIONAL TECHNICIANS WITH THE KNOWLEDGE, TOOLS, AND EQUIPMENT TO DO THE JOB PROPERLY AND SAFELY. IT INFORMS THESE TECHNICIANS OF CONDITIONS THAT MAY OCCUR ON SOME VEHICLES, OR PROVIDES INFORMATION THAT COULD ASSIST IN PROPER VEHICLE SERVICE. THE PROCEDURES SHOULD NOT BE PERFORMED BY "DO-IT-YOURSELFERS." DO NOT ASSUME THAT A CONDITION DESCRIBED AFFECTS YOUR CAR. CONTACT A JAGUAR RETAILER TO DETERMINE WHETHER THE BULLETIN APPLIES TO YOUR VEHICLE.

5. Install and seat the clevis pin.
6. Install the clevis pin retaining clip.
7. Carry out steps 2 to 6 on the opposite liftgate glass hinge to gas strut clevis pin.
8. Close liftgate and open liftgate glass.
9. Cycle liftgate glass at least five times to distribute the grease around the bearing face of the pins.
10. Close liftgate glass.

Global Technical Reference (GTR):

Dealer Access: <https://hub.franchise.jaguar.com>

Internet access: <http://www.jaguartechno.com>

Warranty Information:

Warranty claims should be submitted quoting the information found in the table below. This will result in payment of the stated time and, where applicable parts/miscellaneous expense codes as listed.

Description	SRO	Time	Causal Part Number
Liftgate glass hinge to gas strut clevis pin service fix	76.94.60	0.2 hrs.	C2S 35983